

Superb Performance, Exceptional Value

Drawing from years of experience and industry leading technologies like Complex Conic waveguides, CA/CX loudspeakers are designed to meet the needs of today's Installed-AV professionals, with a broad range of systems to provide effective solutions for every sound reinforcement challenge at competitive price points.

The new C Series subwoofers incorporate the latest components to provide clean, natural sound and tight bass response. Direct radiating designs insure the most natural response and deepest bass without coloration or resonances. All while providing unrivaled value and the natural, transparent sound that Renkus-Heinz is known for.

And as with all Renkus-Heinz products, C Series loudspeakers are backed by Renkus-Heinz's renowned worldwide customer support.

Applications

- The CX/CA118S is an 18" direct radiating subwoofer perfect for any application where, deep, tight and accurate bass is required.
- Used singly, it's the perfect match for adding sub bass to 12 & 15 inch loudspeakers and larger steerable arrays.
- In multiples, it's an impressive and powerful addition to any system requiring a powerful subwoofer.
- The standard pole socket allows loudspeakers to be easily mounted on it as a base in portable systems.

Appealing Design, Sizable Performance

The CX/CA118S was developed for applications needing a powerful, high performance subwoofer in a versatile package—at an attractive price.

It features a 4" voice coil, cast frame, treated paper cone woofer. The high-efficiency 18" woofer produces a very deep, tight bass response and the large ports insure that no chuffing or fluttering noise ever mars the sound.

A 900 watt program power rating leads to a surprisingly high 131 dB peak output level from 35 Hz to 120 Hz; the CX/CA118S is a great match to nearly any system.

Designed In Flexibility

Twelve M10 Universal Mounting Points make installation easy and clean. A 35 mm pole socket allows even large full range loudspeakers to be used in portable applications with the sub as a support. Standard recessed handles make for easy portable use and are inconspicuous in installs.

Available externally powered or with four flavors of built-in amplification; RHAON II networking, monitoring and control, and Dante digital audio, the CX/CA118S brings new levels of versatility to compact loudspeakers.

CA/CX Series

CX118S	Non-Powered
CA118S-A	Powered, Analog
CA118S-RN	RHAON Empowered
CA118S-RD1	RHAON & Dante
CA118S-RD	RHAON & Dante Redundant

Direct Radiating 18 in. Subwoofer



- **Eighteen-inch Woofer for Excellent Bass Response**
Strong performance to 35 Hz.
- **Versatile**
Recessed handles, pole adapter and UMH points are all standard.
- **Optimal Subwoofer Fidelity**
Direct radiating design with large ports assures deep, powerful bass without coloration or port noise.
- **Available SA1250 Amplifier**
SA1250 amplifier offers high output, full protection limiting, analog, and optional AES & Dante inputs.

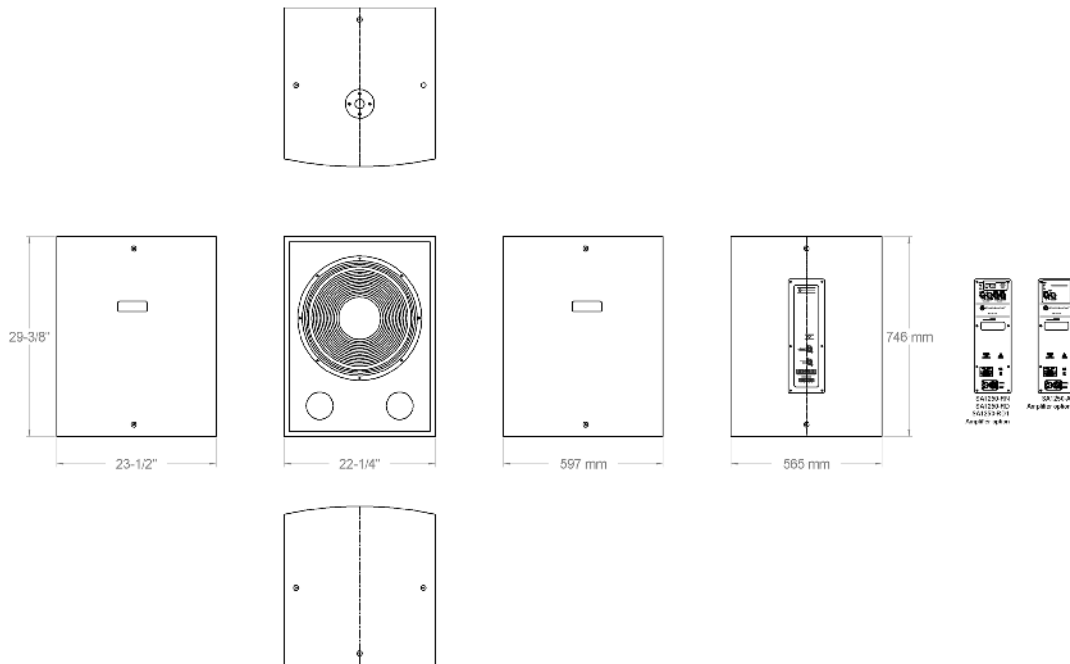
CA/CX118S Specifications

	CX118S	CA118S-A	CA118S-RN	CA118S-RD1 & RD
Connectors:	2 x Speakon® NL4 Four-place terminal strip, all paralleled	2 x XLR-3, In & Loop-out	2 x XLR-3, In & Loop-out, Analog and AES 2 x RJ45, primary & secondary	
Sensitivity:	97 dB (1W/1m)		1.0 volt for rated output, analog	
Power Handling:	450 W AES @ 8 ohms,		See SA1250 amplifier specs below	
Crossover Frequency:	100 Hz, 4th order Butterworth recommended		100 Hz, 4th order Butterworth	
Max. SPL:	131 dB (peak, half space)		128 dB (peak, half space)	
Weight:		88 lbs. /39.9 kg		
Frequency Response:		35 Hz to 120 Hz (+/- 3dB)		
Enclosure:		11 ply birch plywood		
Grille:		16 GA powder-coated, plated steel		
Transducers:		Woofers: SSL18-10		
Finish:		Black (RAL9010) paint		
Mounting:		12 x M10 UMH points 1 x 35 mm pole socket		
Dimensions:		22-1/4" w x 29-3/8" h x 23-1/2" d 445 mm w x 724 mm h x 432 mm d		

SA1250 Amplifier Specifications

	SA1250-A	SA1250-RN	SA1250-RD1 (Ultimo)	SA1250-RD (Brooklyn II)
Audio Connections:	2 x XLR-3, In & Loop-out, Analog	2 x XLR-3, In & Loop-out, Analog and AES	2 x XLR-3, In & Loop-out, Analog and AES 1 x RJ45 Dante Ethernet	2 x XLR-3, In & Loop-out, Analog and AES 2 x RJ45 Dante Primary & Secondary Ethernet
Latency:	6.25 ms	6.25 ms	6.25 ms Analog & AES 6.25 ms + Dante transport latency	6.25 ms Analog & AES 6.25 ms + Dante transport latency
User DSP:	None	Eight fully parametric filters, high and low shelf, high and low pass filters, delay to 340 ms.		
Software:	None	RHAON II	RHAON II and Dante Controller	
Max. Input Level:	+22 dBu, Analog	+22 dBu, Analog, 0 dBFS digital	+22 dBu, Analog, 0 dBFS digital	+22 dBu, Analog, 0 dBFS digital
Network Connections:	None	2 x RJ45, Looping Ethernet/RHAON	2 x RJ45, DANTE/Looping Ethernet/ RHAON (Note: Dante and RHAON share a single Ethernet network.)	2 x RJ45 Dante Primary & Secondary Ethernet/RHAON (Note: Dante and RHAON share a single or redundant Ethernet network.)
Power Output:		LF= 1000 watts, @ 8 ohms Multi-band peak and thermal limiting protects the driver.		
Mains Voltage:		100-240 volts, 50/60 Hz auto-switching		
Power Consumption:		Idle: 300 mW. 1/8 power: 240 W (onset of limiting) 1/3 power: 550 W (hard limiting)		
Power Connector:		Neutrik powerCON TRUE-1		
Temperature Limits		Max.: 140° F/60° C, with no direct sun exposure; Min.: -22° F/-30° C; leave unit on to keep interior warm below 32° F/0° C.		

Note: All analog inputs and outputs comply with AES Standard 48-2005 on interconnecting, grounding and shielding.



Renkus-Heinz, Inc., 19201 Cook Street, Foothill Ranch, CA 92118S0-3501, USA
Tel: +1 949-588-9997 • Fax: +1 949-588-9514
sales@renkus-heinz.com • www.renkus-heinz.com

RH 850, Rev B February, 2020