



SoftLite Led RGBW

Product code: **F026L000A**

KEY FEATURES

- Diffuse LED light projector
- Reflection technology for a fully uniform illumination
- RGB+W color mixing
- CCT proportional control from 2.700 to 10.000 K (CRI > 95)
- Green-Magenta Adjustment
- Beam angle: horizontal 62° (1/2 peak angle) 110° (1/10 peak angle), vertical 54° (1/2 peak angle) 92° (1/10 peak angle)
- Electronic 16 bit dimming with 3 selectable curves (Exponential, Logarithmic and Linear)
- Double dissipation system: air forced heat pipe and fan
- Fan setting with 3 different options (low, auto, DMX regulated)
- Accessories available to control the light beam
- Guaranteed flicker-free



SPECIFICATIONS

- RGB+W color mixing with hue and saturation control, with pure color mixing throughout the field
- CCT: all whites from 2.700 to 10.000 K
- Green-Magenta Adjustment
- Electronic 16 bit dimming with 3 selectable curves (exponential, logarithmic, linear)
- Beam angle: horizontal 62° (1/2 peak angle) 110° (1/10 peak angle), vertical 54° (1/2 peak angle) 92° (1/10 peak angle)
- Electronic control of the cooling system
- Tempered frontal polycarbonate (UV)
- Guaranteed flicker-free operation with LEDs frequency controlled via DMX from 600 to 19.000 Hz
- Fan setting with 3 different options (low, auto, DMX regulated)
- Aluminium extruded and steel body
- Double dissipation system: air forced heat pipe and fan
- IP rating: 20
- CE approved

LIGHT SOURCE

- 96 Cree LEDs - 24 Red, 24 Green, 24 Blue, 24 White (CRI > 95)
- Average LED lifetime: a minimum of 80% of the initial luminous flux will be maintained after approx. 50.000 hours of usage (50.000 LM80)

PHYSICAL SIZE

- Length: 691.2 mm (27.21 in)
- Width: 200 mm (7.9 in)
- Height: 210.5 mm (8.28 in)
- Height with bracket: 264.5 mm (10.41 in)
- Weight: 9.6 Kg (21.1 lbs)

CONTROL PROTOCOL AND PROGRAMMING

- USITT DMX512A
- DMX channels: 14 / 8 / 7 / 4 / 1
- Setting, addressing, testing and measurements via LEDs display
- RDM (Remote Device Management)

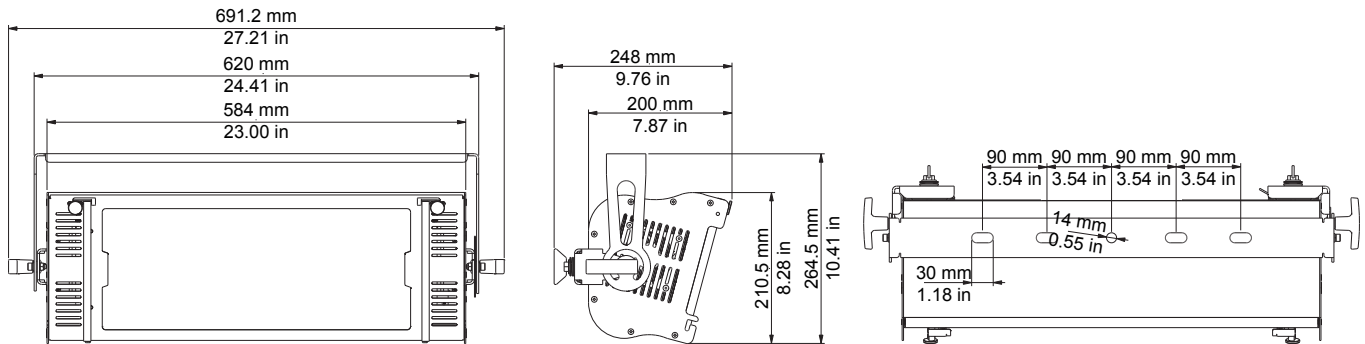
ELECTRICAL SPECIFICATIONS AND CONNECTIONS

- AC power: 90-264 V, auto-sensing, 50/60 Hz, 2 m (6.6 ft)
- PowerCon cable without power plug
- In and Out PowerCon connectors to feed up to 10 (at 230 V) or 5 (at 115 V) fixtures
- Max power consumption: 250 W
- Power consumption: 1.2 A at 230 V, 2.43 A at 115 V - cosφ 0,9
- DMX data in/out: 5 pin locking XLR

ACCESSORIES

- 4 leaf barndoor
- 4 leaf barndoor + asymmetric diffuser
- Color frame holder
- Honeycomb 6 mm (o.24 in) 1/2 peak angle 7° - 1/10 peak angle 13°
- Honeycomb 10 mm (o.39 in) 1/2 peak angle 10° - 1/10 peak angle 16°
- Honeycomb XL
- Pole operated yoke
- 2 ground-standing feet
- Soft diffuser (different filter available)

DRAWING SIZE



DMX CHARTS

14 channels		8 channels		4 channels	
1	master dimmer	1	master dimmer	1	red
2	red	2	red	2	green
3	green	3	green	3	blue
4	blue	4	blue	4	white
5	white	5	white		
6	strobe effect	6	strobe effect	1 channel	
7	dimmer fine	7	dimmer fine	1	master dimmer (color temperature settable by display)
8	special function	8	special function		
9	red tone	7 channels			
10	green tone	1	master dimmer		
11	blue tone	2	color temperature		
12	white tone	3	green saturation		
13	green saturation	4	saturation		
14	saturation	5	hue		
		6	dimmer fine		
		7	special function		

PHOTOMETRIC DATA

The SoftLite Led Photometric Data may be downloaded from www.coemar.com.

ACCESSORIES

Code	Description
BC10026A002	4 leaf barndoor
BC10026A007	4 leaf barndoor + asymmetric diffuser
BC10026A001	Color frame holder
BC10026A003	Honeycomb (6 mm) (1/2 peak angle 7° - 1/10 peak angle 13°)
BC10026A004	Honeycomb (10 mm) (1/2 peak angle 10° - 1/10 peak angle 16°)
BC10026A005	Honeycomb XL
BC10026A006	Soft diffuser (Different filters available)
BC10026A008	Pole operated yoke
PC08052/1	2 ground standing feet