



Risalto Led S T

Product code: **F034C000S (Fresnel)** | **F034C000T (PC)**

KEY FEATURES

- Light source: 100 W Tungsten COB LEDs
- CRI 90
- 16° - 77° proportional zoom (with Fresnel lens)
- 10° - 85° proportional zoom (with PC lens)
- Smooth 16 bit dimmer
- Guaranteed flicker-free operation (DMX controlled PWM frequency)
- The fan setting allows three options: low, auto and DMX regulated



SPECIFICATIONS

- Fixed white CCT: 3.200 K
- Fresnel or PC lenses (diameter 120 mm / 4.7 in)
- Zoom range from 16° to 77° (with Fresnel lens)
- Zoom range from 10° to 85° (with PC lens)
- Electronic 16 bit dimming with 3 selectable curves (exponential, logarithmic and linear)
- Synchronized, random or pulse electronic strobe
- Flicker-free operation with LEDs frequency controlled via DMX from 600 to 19.000 Hz
- Fan setting with 3 different options (low, auto, DMX regulated)
- IP rating: 20
- CE approved

LIGHT SOURCE

- Tungsten COB LED (CRI 90)
- Average LED lifetime: a minimum of 80% of the initial luminous flux will be maintained after approx. 50.000 hours of usage (50.000 LM80)

PHYSICAL SIZE

- Length: 308 mm (12.13 in)
- Width: 251 mm (9.88 in)
- Height: 185 mm (7.28 in)
- Height with bracket: 288 mm (11.34 in)
- Weight: 5.5 Kg (12.13 lbs)

CONTROL PROTOCOL AND PROGRAMMING

- USITT DMX512A
- DMX channels: 5 / 1
- Setting, addressing, testing and measurements via LEDs display
- RDM (Remote Device Management)

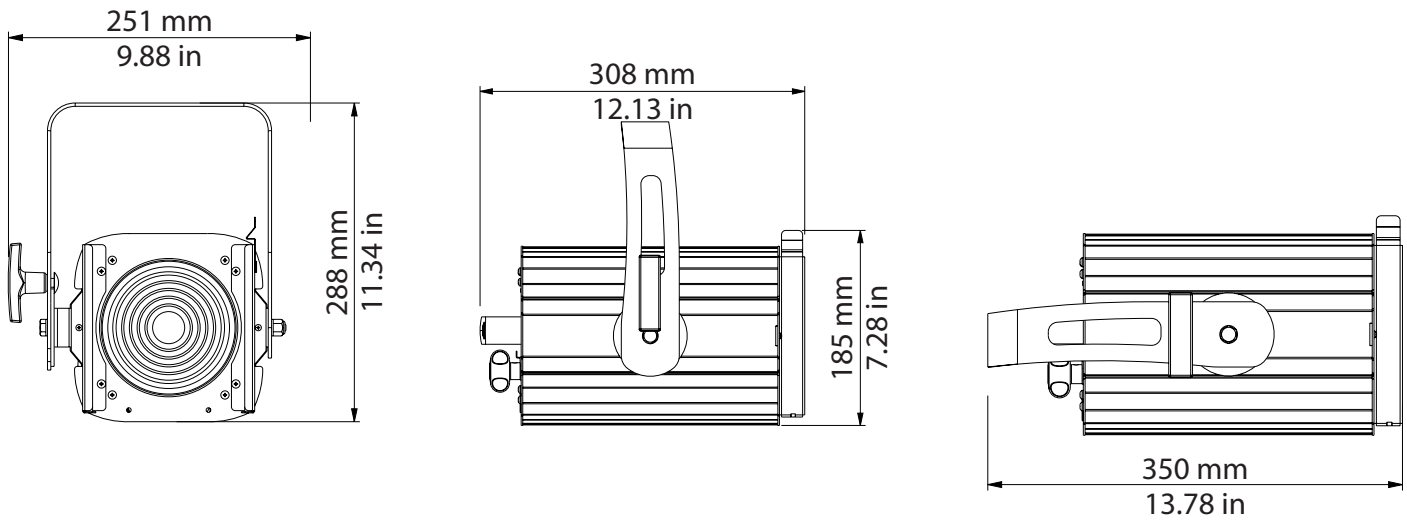
ELECTRICAL SPECIFICATIONS AND CONNECTIONS

- AC power: 90-264 V, auto-sensing, 50/60 Hz
- Max power consumption: 100 W
- Power consumption: 0.46 A at 230 V, 0.92 A at 115 V - cosφ 0.95
- In and Out PowerCon connectors
- DMX data in/out: 5 pin locking XLR

ACCESSORIES

- 4-leaf barndoor

DRAWING SIZE



DMX CHARTS

5 channels	
1	master dimmer
2	spare channel
3	dimmer fine
4	strobe
5	special function

1 channel	
1	master dimmer

PHOTOMETRIC DATA

The Rialto Photometric Data may be downloaded from www.coemar.com.

ACCESSORIES

Code	Description
ACO4201	4-leaf barndoor