



RigaLed Power T

Product code: F004E002F (20 LEDs) | F004E004F (40 LEDs)



KEY FEATURES

- Cosmetic design for high-end installations
- Thick aluminium, long lasting light source in long lasting body
- Variable light projection angle to adapt the application
- No fan, no maintenance, no noise

SPECIFICATIONS

- Fixed white CCT: 3.200 K
- Standard elliptical lens 13° x 40°
- Silver die-cast aluminium body
- Orientable yokes (180°)
- IP rating: 20

LIGHT SOURCE

- 20 or 40 LEDs Cree
- Average LED lifetime: a minimum of 80% of the initial luminous flux will be maintained after approx. 50.000 hours of usage (50.000 LM80)

PHYSICAL SIZE

- Length RigaLed Power 20: 500 mm (19.69 in)
- Length RigaLed Power 40: 995 mm (39.17 in)
- Width: 40 mm (1.56 in)
- Height: 72 mm (2.81 in)
- Weight RigaLed Power 20: 0.9 Kg (1.98 lbs)
- Weight RigaLed Power 40: 1.7 Kg (3.74 lbs)

CONTROL PROTOCOL AND PROGRAMMING

- With RegoBox or Concept Design
- RDM (Remote Device Management)

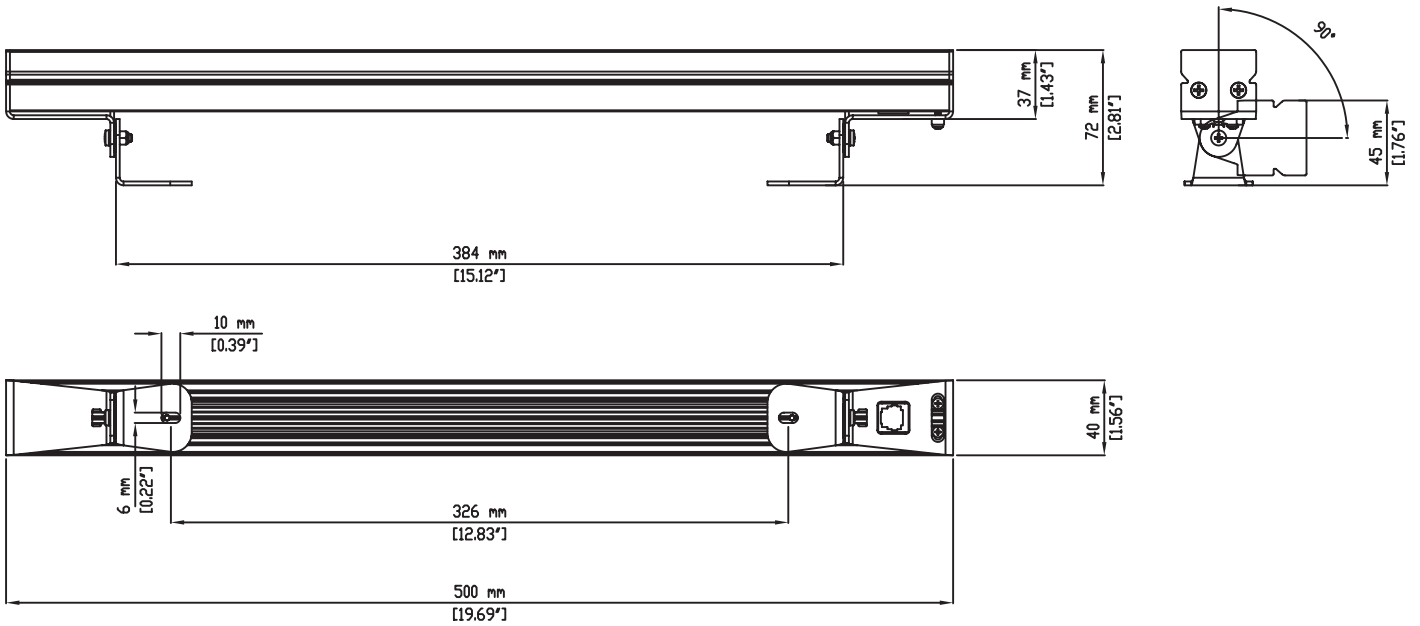
ELECTRICAL SPECIFICATIONS AND CONNECTIONS

- DC constant current power supply: 350 mA
- Power consumption RigaLed Power 20: 21.6 W
- Power consumption RigaLed Power 40: 43.2 W
- RJ45 connector

ACCESSORIES

- 12° lens kit
- 30° lens kit
- 50° lens kit

DRAWING SIZE - RigaLed Power 20



DRAWING SIZE - RigaLed Power 40

