

 **LEDko D Studio**  
Product code: F011B000A

## KEY FEATURES

- LED profile spot
- CRI 96, ideal for broadcast segment
- Light source: Daylight COB LED
- Soft profiling thanks to Fresnel and PC optics (Coemar patent)
- Smooth 16 bit dimmer
- Guaranteed flicker-free operation (DMX controlled PWM frequency)
- The fan setting allows three options: low, auto, DMX regulated
- Instant gobos from standard printers



## SPECIFICATIONS

- Fixed white CCT: 5.600 K
- Four blade framing system, each shutter blade is adjustable for radial position and angle
- Electronic 16 bit dimming with 3 selectable curves (exponential, logarithmic, linear)
- Synchronized, random or pulse electronic strobe
- Flicker-free operation with LEDs frequency controlled via DMX from 600 to 19.000 Hz
- Fan setting with 3 different options (low, auto, DMX regulated)
- CE approved
- IP rating: 20

## LIGHT SOURCE

- Daylight COB LED (CRI 96, TLCI 98)
- Average LED lifetime: a minimum of 80% of the initial luminous flux will be maintained after approx. 50.000 hours of usage (50.000 LM80)

## PHYSICAL SIZE

- Length: 362 mm (14.2 in)
- Length with Profile Zoom 28°/40° optic: 601 mm (23.6 in)
- Height: 189 mm (7.4 in)
- Height with bracket: 372 mm (14.6 in)
- Width: 212 mm (8.3 in)
- Weight: 6 kg (13.2 lbs)
- Weight with Profile Zoom 28°/40° optic: 8.5 Kg (18.7 lbs)

## CONTROL PROTOCOL AND PROGRAMMING

- USITT DMX512A
- DMX channels: 5 / 1
- Setting, addressing, testing and measurements via LEDs display
- RDM (Remote Device Management)

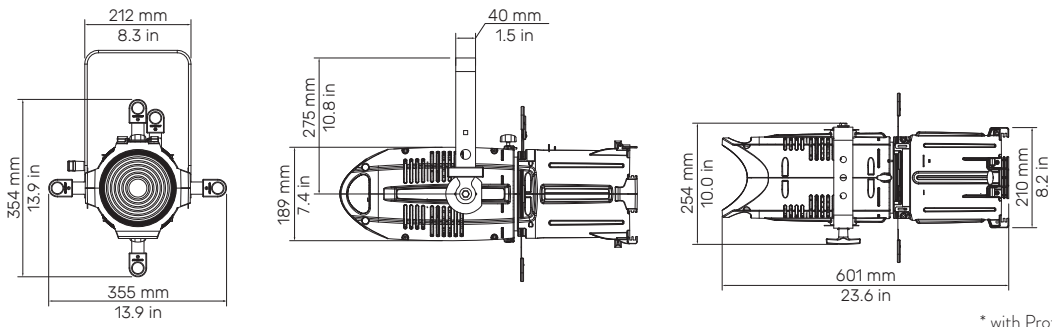
## ELECTRICAL SPECIFICATIONS AND CONNECTIONS

- AC power: 85-264 V, auto-sensing, 50/60 Hz
- In and Out PowerCon connectors to feed up to 8 (at 230 V) or 4 (at 115 V) fixtures
- Max power consumption: 200 W
- Power consumption: 0.92 A at 230 V, 1.83 A at 115 V - cosφ 0,95
- DMX data in/out: 5 pin locking XLR

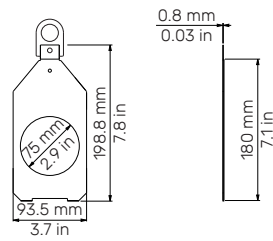
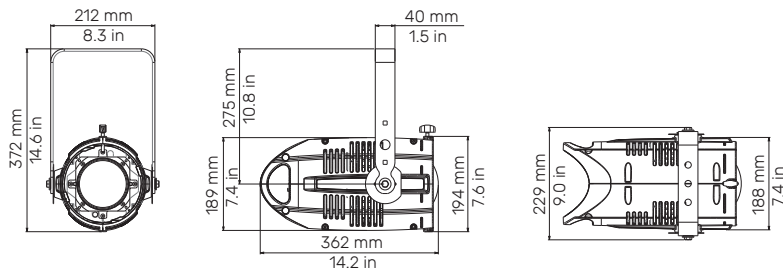
## ACCESSORIES

- Color frame
- Magnetic gobo holder
- Metal gobo holder
- Gobo holder for glass gobo
- Gobo holder for iris slot
- Iris
- Donut
- Half top hat
- Top hat
- 4-leaf barndoor
- Flight case
- Optics: Profile/Soft Profile, Zoom Profile, Lens tube (various angles available)

## DRAWING SIZE



\* with Profile Zoom 28°/40° optic



\* magnetic gobo holder (optional)

## DMX CHARTS

5 channels	
1	master dimmer
2	spare channel
3	dimmer fine
4	strobe effect
5	special function

1 channel	
1	master dimmer

## PHOTOMETRIC DATA

The LEDko Photometric Data may be downloaded from [www.coemar.com](http://www.coemar.com).

## ACCESSORIES

### Optics

Code	Description
BC10011A017	Profile Zoom 15°-35°
BC10011A019	Profile Zoom 25°-50°
BC10011A003	Profile Zoom 28°-40°
BC10011A002	Soft Profile Fresnel Zoom 14° - 40°
BC10011A001	Soft Profile PC Zoom 11° - 38°
BC10011A200	Front barrel with burnished blades
BC10011A041*	Profile 5°, Lens Tube
BC10011A042*	Profile 10°, Lens Tube
BC10011A023*	Profile 14°, Lens Tube
BC10011A012*	Profile 19°, Lens Tube
BC10011A013*	Profile 26°, Lens Tube
BC10011A015*	Profile 36°, Lens Tube
BC10011A016*	Profile 50°, Lens Tube
BC10011A024*	Profile 70°, Lens Tube
BC10011A025*	Profile 90°, Lens Tube

### Accessories for Profile Zoom

Code	Description
BC10011A028	Donut (190.5 mm)
BC10011A027	Half Top Hat (190.5 mm)
BC10011A029	Top Hat (190.5 mm)
BC10011A040	Color frame holder (190.5 mm)

### Accessories for Soft Profile

Code	Description
BC10011A036	Donut (185 mm)
BC10011A035	Half Top Hat (185 mm)
BC10011A037	Top Hat (185 mm)
ACO4204	Color Frame Holder (185 mm)

### Accessories for Lens Tube

Code	Description
BC10011A036	Donut (159 mm)
BC10011A035	Half Top Hat (159 mm)
BC10011A037	Top Hat (159 mm)
BC10011A021	Color Frame Holder (159 mm)

### General accessories

Code	Description
ACO4202	4 leaf barndoor
BC10011A006	Magnetic gobo holder
BC10011A106	Metal gobo holder
BC10011A030	Gobo holder for glass gobo
BC10011A010	Iris
BC10011A049	Gobo holder for iris slot
BC10011A047	Hook Clamp, 48 - 51 mm (Safe Working Load 20 Kg.)
BC10011A045	Light Clamp silver, 48 - 51 mm (Safe Working Load 75 Kg.)
BC10011A046	Light Clamp black, 48 - 51 mm (Safe Working Load 75 Kg.)
BC10011A043	Clamp silver flat 13 - 30 mm / ø15 - 50 mm (Safe Working Load: 20 Kg.)
BC10011A044	Clamp black flat 13 - 30 mm / ø15 - 50 mm (Safe Working Load 20 Kg.)